


# PRODUCT SHEET

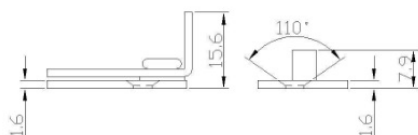
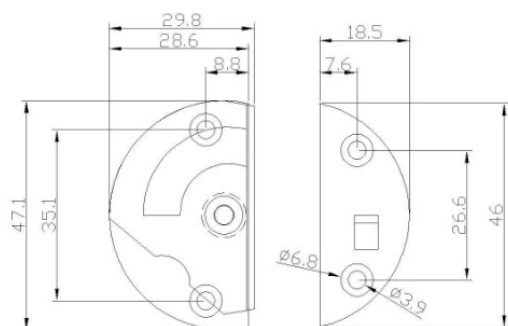
## Description:

Table Spanner, 2003,  $\varnothing 47\text{mm}$ , Steel, Brass Polished

## Item number:

24.03.025-1

| Units | Box | Carton | HS Code    | Barcode   |
|-------|-----|--------|------------|---|
| Set   | 250 | 500    | 8302420090 | <br>5704866455527 |



## SISO A/S

Mileparken 11  
DK-2740 Skovlunde  
Denmark  
VAT: DK 24786013

Phone +45 45 830 900

[www.siso.dk](http://www.siso.dk)  
[siso@siso.dk](mailto:siso@siso.dk)

Danske Bank  
Nytorv Branch  
Copenhagen  
SWIFT: DABADKKK

Account no.  
4180 3112 112936  
IBAN Account  
DK7230003112112936